

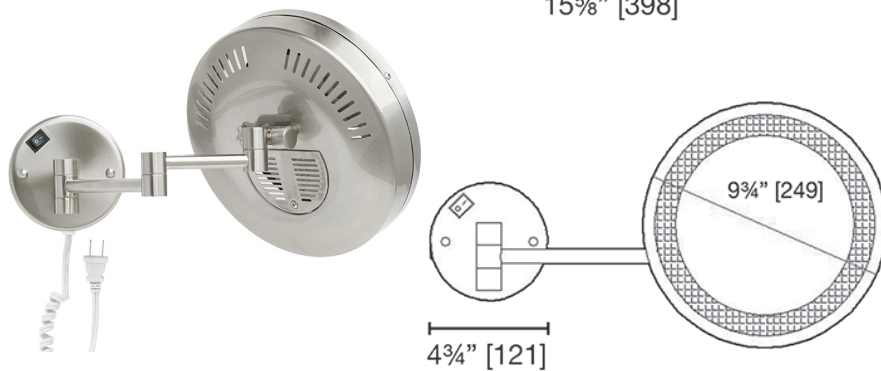
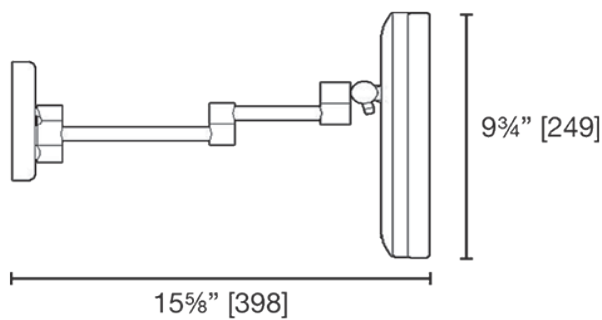
2010 BN LED

LED Wallmount Swing Mirror
with brushed nickel trim

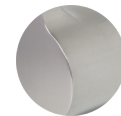
LALOO ACCESSORIES
SERVICE@LALOO.CA
866-305-2566



Magnification - 5x
Wattage - 4.2
Voltage - 110
Kelvin - 4500
Lumens - 264



Available Finishes



BN brushed nickel

Complementary Accessories

floor stand towel bar
9003



bowl brush and holder
9300



Use metric dimensions for
greatest accuracy.
Specifications are subject to
change without notice.

A
CELEBRATION
of ART &
FUNCTION