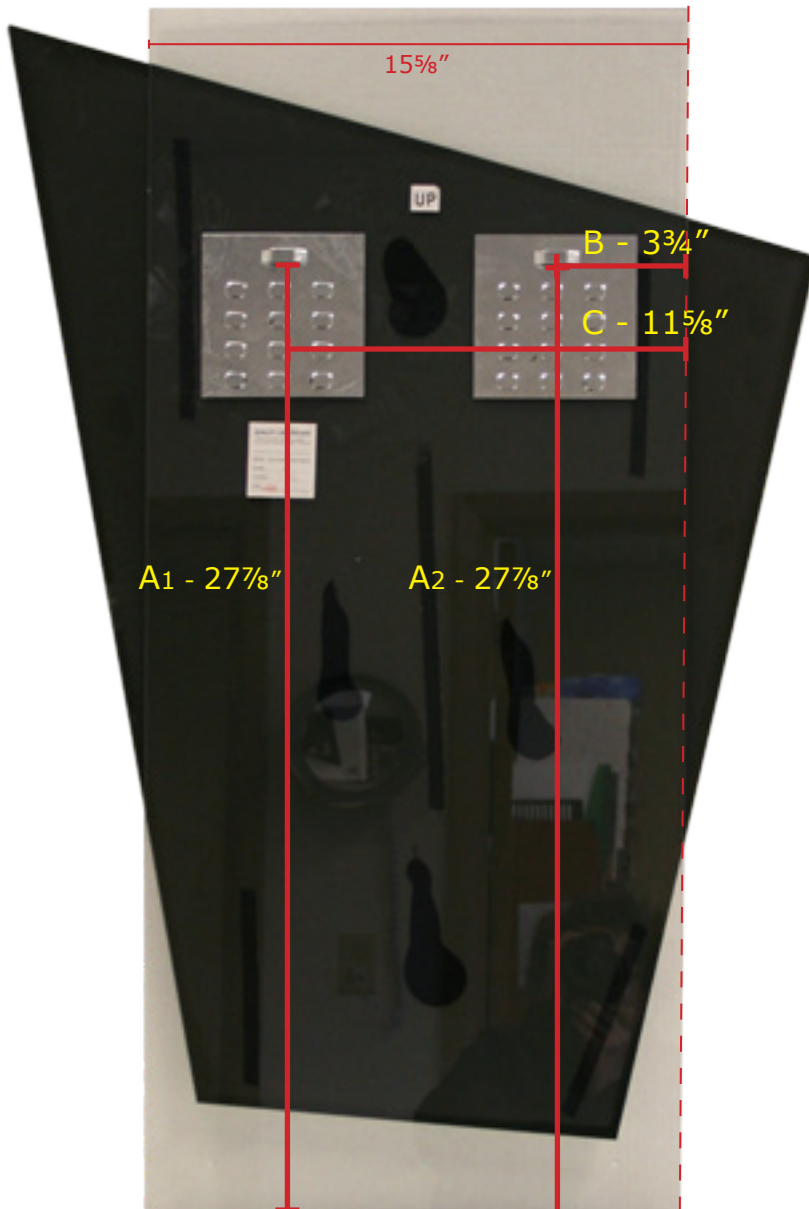


MELANIE Double layer ANGLE ON RECTANGLE M00198

REAR VIEW of MOUNTING SYSTEM

All Melanie Mirrors come with installed mounting bracket(s) and spacer(s).
Mirrors include 'L' shaped screw(s) and self tapping wall plug(s).

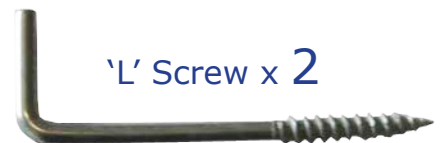
1. Consider the overall "out to out" measurement of mirror before choosing location.
2. Measure from bottom of mirror to the underside of mounting brackets (A1 & A2) .
3. Measure from right side of back layer to centre of first bracket (B).
4. Measure from right side of back layer to centre of second bracket (C).
- 5. Suggested measurements can vary +/- 1 inch based on bracket location.**
6. Install self tapping drywall plug(s) as backing for mounting 'L' screw(s).



Drywall Plug x 2



'L' Screw x 2



Overall Dimension - Out to Out
23³/₄ (w) x 35³/₈ (h)