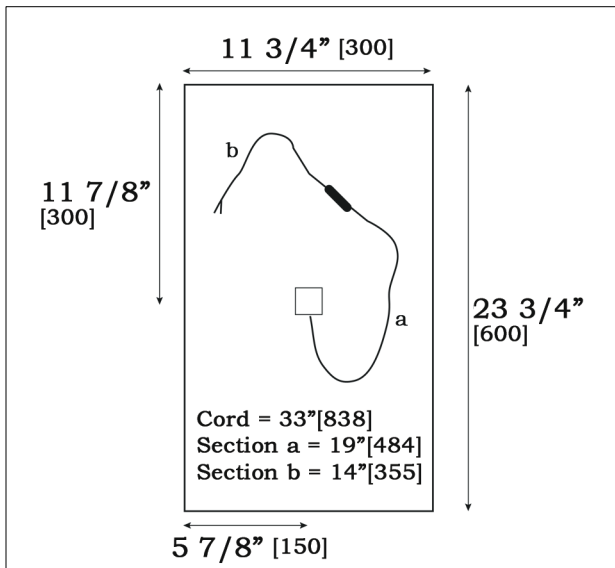
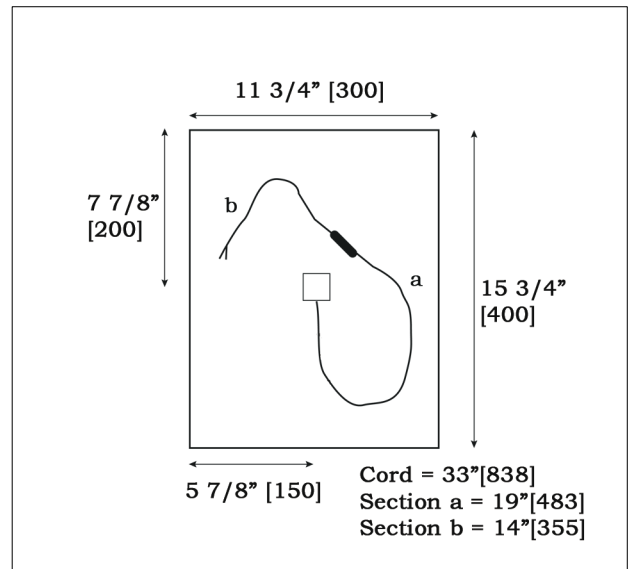
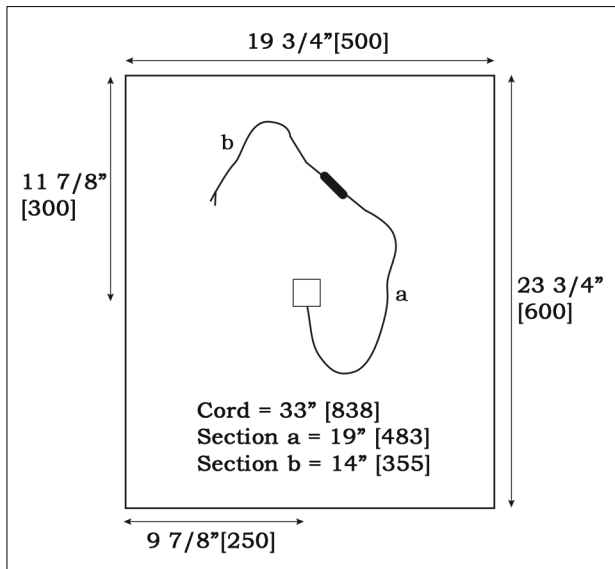


LALOO Antifog MAT – AF600500, AF600300, AF400300



t. 866-305-2566
f. 877-786-8900
service@laloo.ca

The LaLOO Antifog Heating Mat can be affixed to the back of your single pane mirror. The mat can be wired to your existing lighting circuit. When the bathroom lights are turned on; your mat will heat the mirror an additional 10 to 20 degrees warmer which will prevent condensation and keep the surface free of condensation.

We recommend that a certified electrician install your mat. The NEC guidelines require that a GFI protected circuit be used in the bathroom environment.

Prepare the wall for the addition of a second junction box

Shut off the electrical breaker to the bathroom before wiring the Antifog mat.

Check the mat for obvious signs of damage in transit. (creases or tears)

Do not alter the size of the mat. Do not trim the mat.

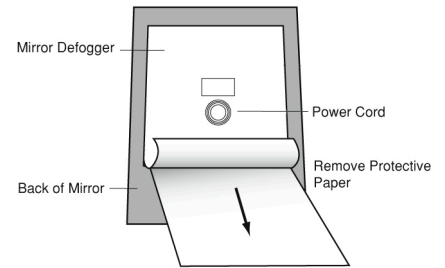
Open the drywall adjacent to the existing the junction box that connects to the bathroom lighting source. Install a secondary junction box directly behind the location of the mirror. The antifog mat cable is centered. The cable is 33" [838mm] in length is coupled in two pieces (19" and 14") for ease of installation.



Attaching the Antifog Mat to the surface of the mirror

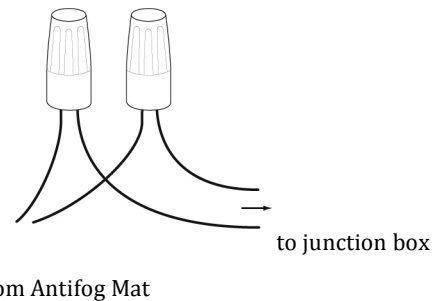
Establish the location of the mirror. Decide on a focal point within the overall mirror surface that you want warmed by the Antifog mat. Record the upper and side positions of the mat in reference to the overall perimeter of the mirror. Turn the mirror over and dryfit the mat to the chosen position. Mark the upper edge of the mat.

Peel back the paper backing 2" from the top of the mat. Align the mat to the markings on the back of the mirror. Slowly remove the protective paper backing and expose the adhesive side of the mat to the mirror. Using a straight edge, slowly pull back the paper to smooth out any air bubbles.



Wire Antifog Mat cable to electrical box.

Connect Section B (14" female lead) of the cable to the electrical box using marrettes. Position the mirror in front of the wall and connect Section A (male lead) to the Section B that you just wired to box. Hang the mirror.



Flip the breaker switch to the bathroom and reconnect the power. By wiring the Antifog Mat to the lighting above the vanity, the warming mat will automatically turn on whenever you turn on your bathroom lighting. The mat will warm the mirror within 5 minutes of operation.

Electrical Specifications

	Size	Watts	Amps
AF400300	15 3/4 x 11 3/4	49	.4
AF600300	23 3/4 x 11 3/4	74	.6
AF600500	23 3/4 x 19 3/4	123	1.1

