

2045H C
 LED Wallmount Swing Mirror
 with acrylic face

LALOO ACCESSORIES
 SERVICE@LALOO.CA
 866-305-2566

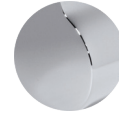


junction box required for hardwire

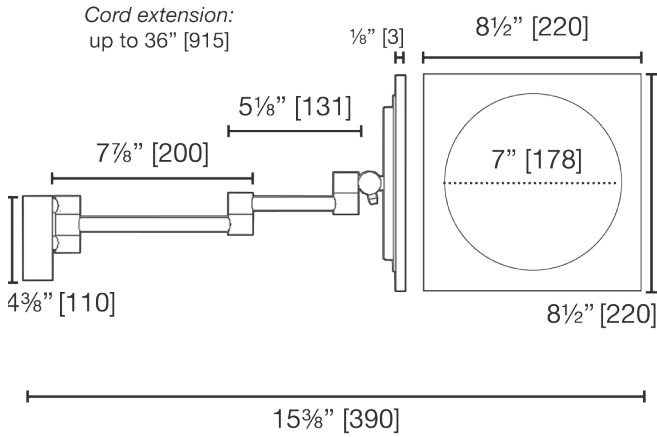
Magnification - **5x**
 Wattage - **4.2**
 Voltage - **110**
 Kelvin - **6000**
 Lumens - **504**



Available Finishes



C chrome



Complementary Accessories

floor stand towel bar
9016



bowl brush and holder
9300



*Use metric dimensions for
 greatest accuracy.
 Specifications are subject to
 change without notice.*

A
 CELEBRATION
 of ART &
 FUNCTION