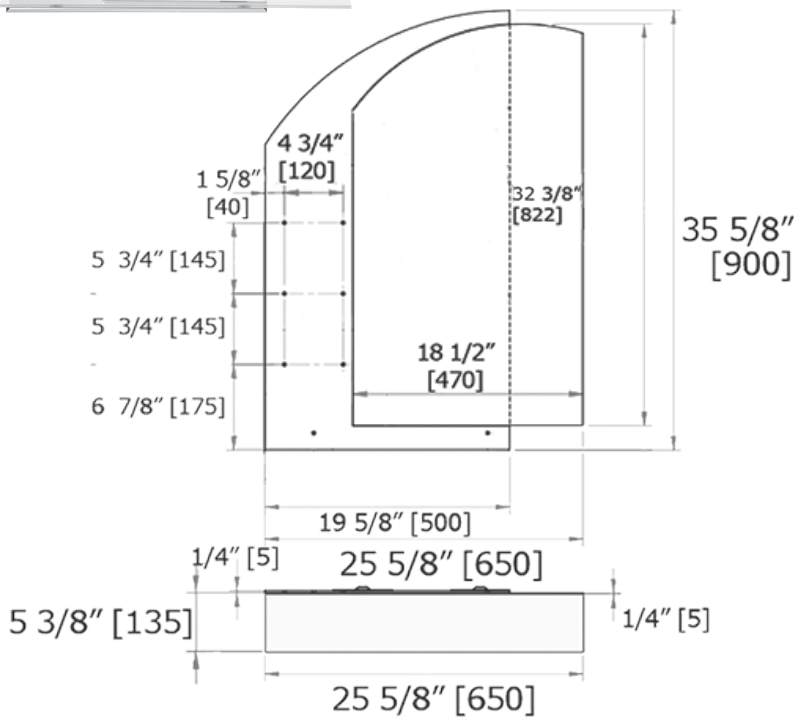


# Decorative Mirrors

Double Layered Mirror with shelves  
H00164

LALOO ACCESSORIES  
SERVICE@LALOO.CA  
866-305-2566

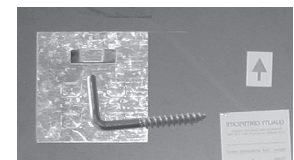
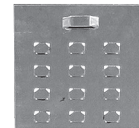


## Mirror Features

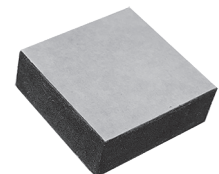


Pilkington Glass with silver plating of  $\geq 700\text{mg/m}^2$  ensures  $\geq 85\%$  reflectivity

Decorative mirrors come with mounting hardware and 'L' shaped screw



Foam spacers ensure that mirror is plumb.



## Complementary Accessories

Right hand option  
• H00165

10 Bar Towel Warmer  
• ETW84-6



Use metric dimensions for greatest accuracy.  
Specifications are subject to change without notice.

A  
CELEBRATION  
of ART &  
FUNCTION